

Long Range Sub-1 GHz USB Dongle



Key Features

- Ultra low power Sub-1 GHz
- Supports 868 MHz, 915 MHz
- Powerful Cortex-M4F MCU for your IoT products
 - Clock Speed: up to 48MHz
 - Up to 352KB of In-System-Programmable Flash
 - 80KB of Ultra-Low-Leakage SRAM
- RF performance
 - TX power: Up to +14 dBm
 - RX sensitivity: up to -121 dBm using Long-Range Mode, -110 dBm at 50 kbps (Sub-1 GHz)
- Communication range
 - 700 meters (LOS)
- USB to UART bridge
 - Full speed USB device, USB 2.0 compliant
 - Full duplex UART
 - Support 300 baud ~ 3Mbaud
- Size
 - 80.2 mm x 32.2 mm x 12.5 mm (Integrated spring antenna)
 - 60 mm x 24 mm x 9 mm (Integrated FPC antenna)
 - 80 mm x 25 mm x 15 mm (External antenna)
- FCC, CE, RoHS compliant

Descriptions

BDE-USB216 is an ultra-low power, long-range Sub-1 GHz USB dongle targeted at low power sensors and long range applications.

BDE-USB216 integrates a high performance RF core and also a powerful ARM cortex-M4F processor, which makes it suitable for certain products that need high performance MCU to deal with difficult applications. It features a USB to UART Bridge, which makes it easy to use in PC terminal.

The USB dongle supports 868 MHz and 915 MHz bands, with the maximum output power up to 14 dBm, along with its Long-Range Mode feature, the USB dongle is to be the best choice for IoT products which require long range communication.

Applications

- Long-range sensor applications
- Smart grid and automatic meter reading
- Wireless healthcare applications
- Industry monitoring and control
- Home and building automation
- Energy-harvesting applications

Block Diagram

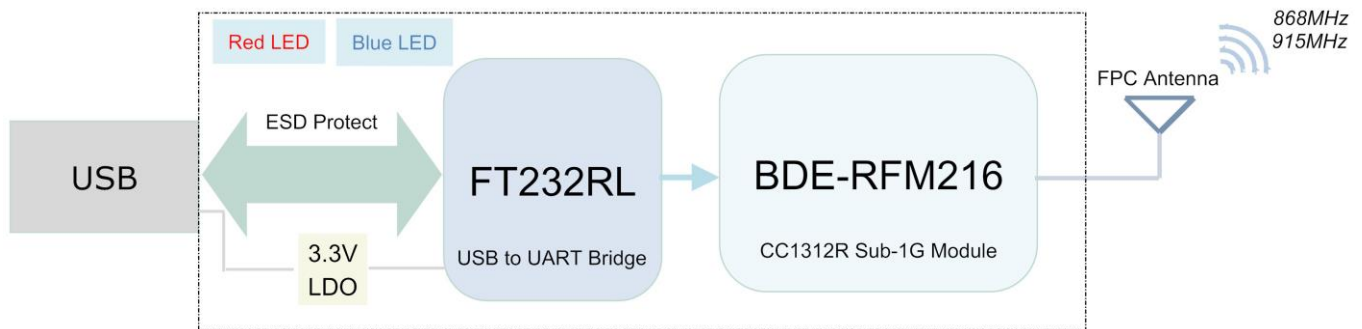


Fig. 1: The Block Diagram of BDE-USB216

Electrical Characteristics

- Absolute maximum rating

Rating	Min	Typ	Max	Unit
Storage Temperature	-40	-	125	°C
Input	-0.5	-	6	V

- Recommended operating conditions

Rating	Min	Typ	Max	Unit
Operating Temperature	-40	-	85	°C
Input	4	5	5.25	V

Dimensions

Fig. 2 shows three different dimensions of BDE-USB216.



Fig. 2: Overall Dimensions of BDE-USB216

USB to UART Bridge, FT232RL driver download link:

<https://www.ftdichip.com/Drivers/VCP.htm>

Contacts

BDE Technology Co. Ltd.

Address: B2-403, Originality Building, 162 Science Ave, Huangpu District, Guangzhou, 510663, China
494 E Thornhill Ln, Palatine, IL 60074, USA

Tel: +86-020-28065335 Fax: +86-020-28065338

Website: www.bdecomm.com Email: info@bdecomm.com